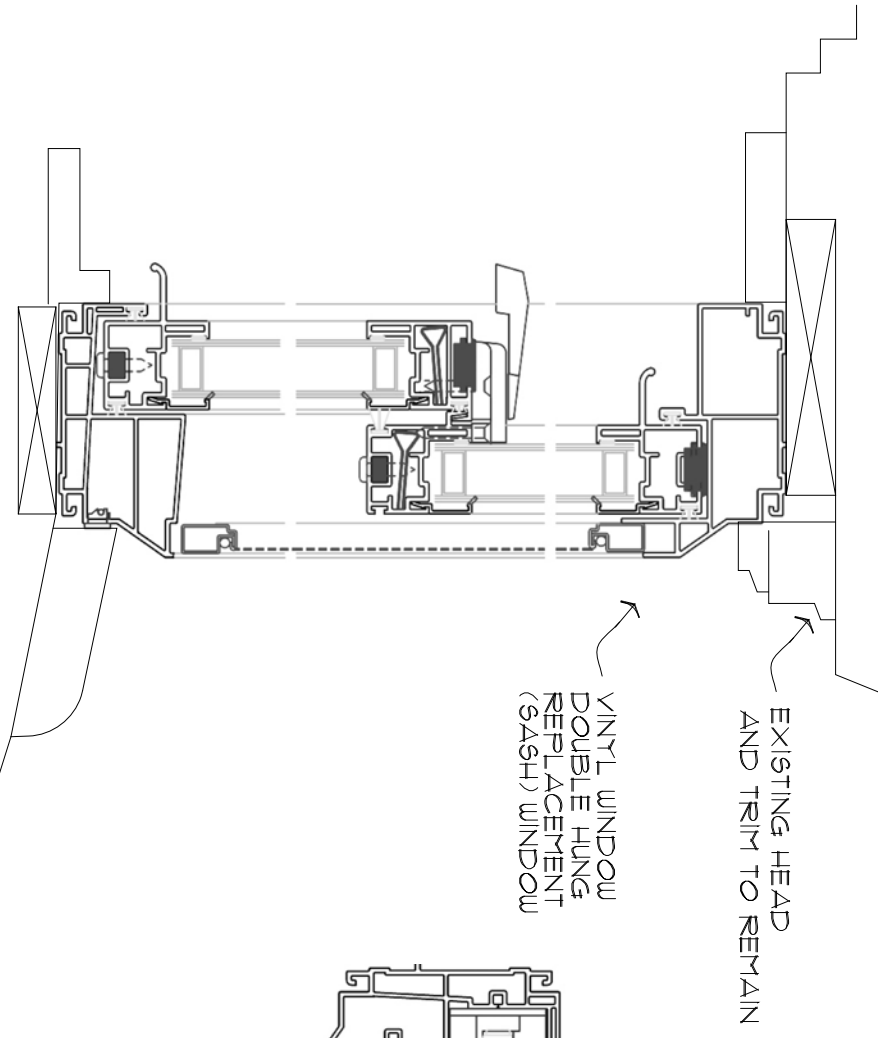


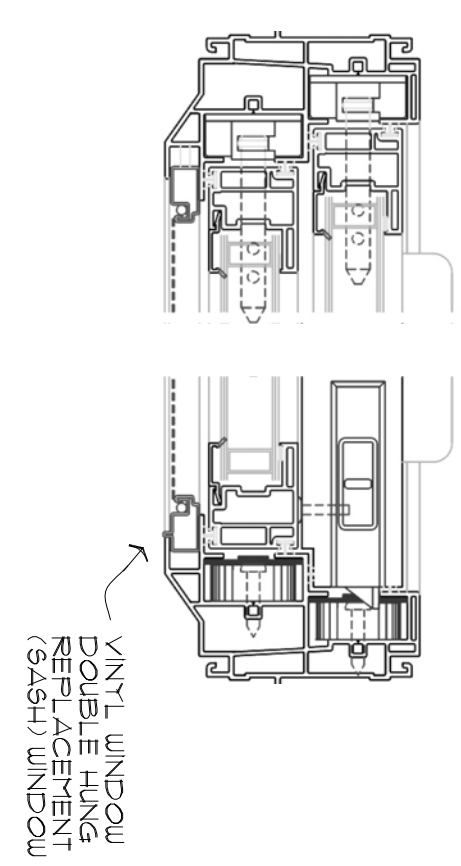
WINDOWS
SCALE: 1/2" = 1'-0" (300)

FIELD MEASURE ALL WINDOW OPENINGS AND FABRICATE VINTL REPLACEMENT SASHES.
ALL EXTERIOR HOLDING SHALL REMAIN. ALL EXTERIOR HOLDINGS SHALL BE CALLED / SEALED AND PREPARED FOR PAINTING. HOLDING SHALL BE PAINTED. COLOR TO BE SELECTED BY OWNER.
ALL INTERIOR PART TO REMAIN. PROVIDE NEW STOPS AS RECOMMENDED BY WINDOW MANUFACTURER.

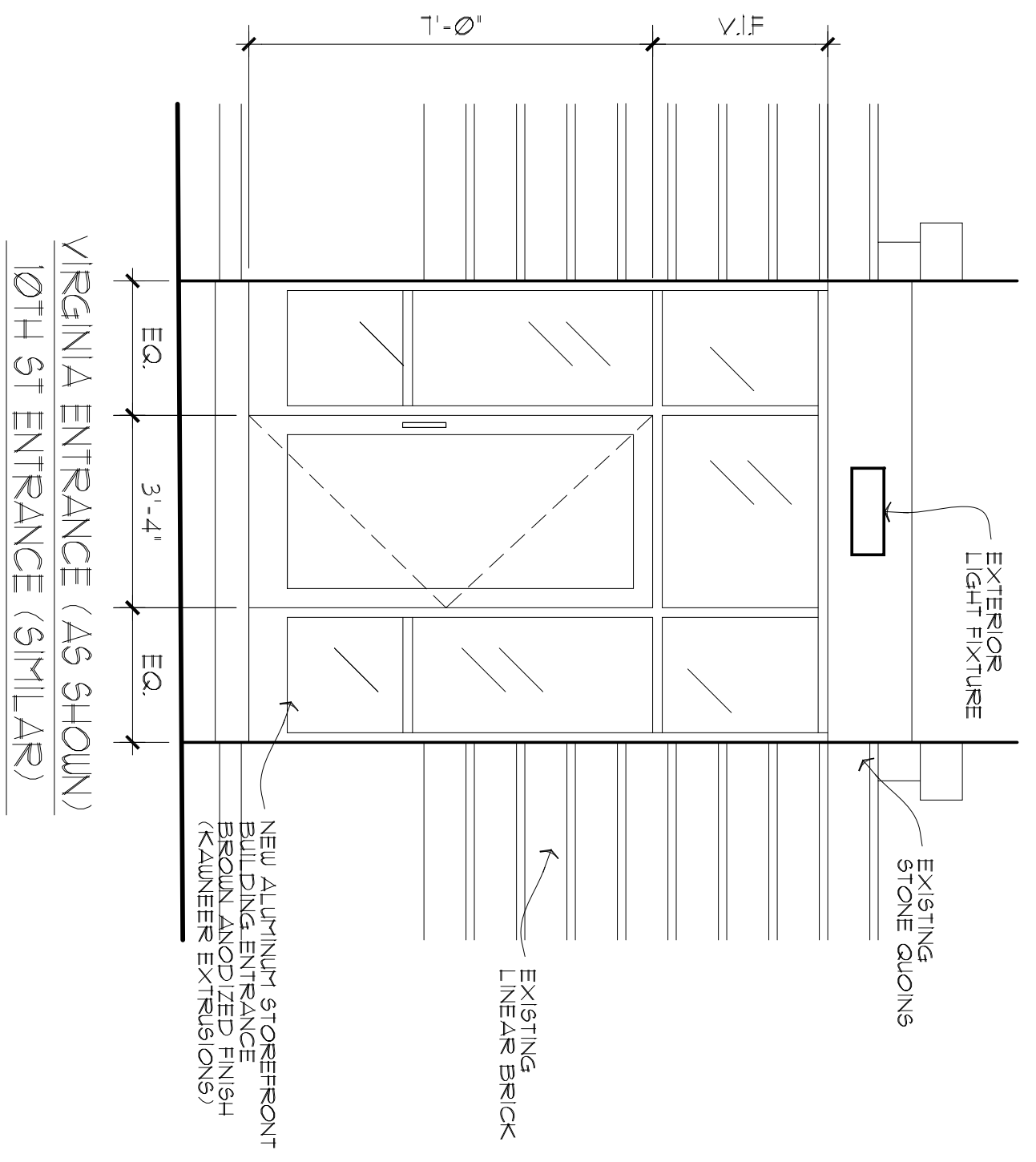
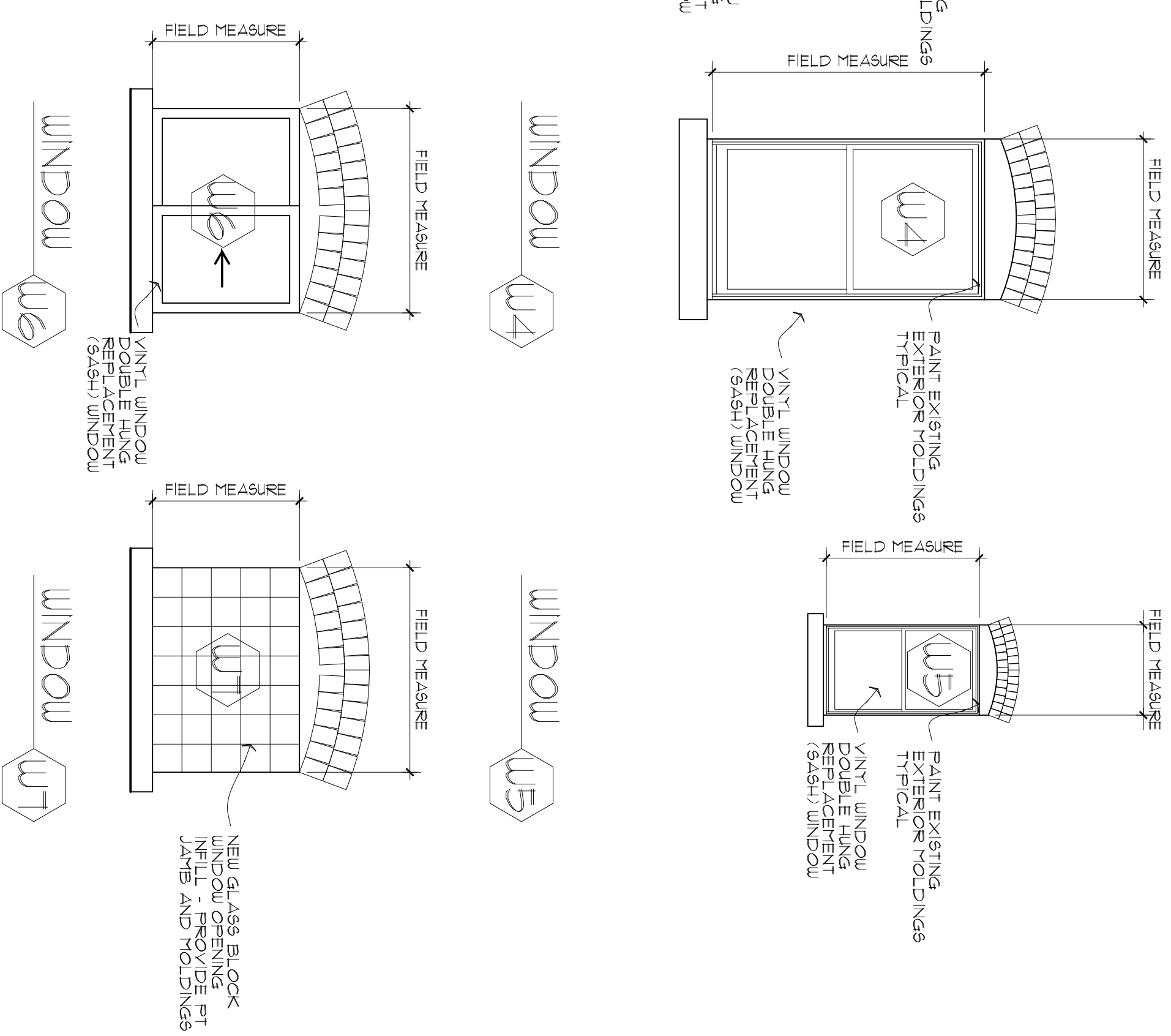
SECTION 4
SCALE: 1/2" = 1'-0" (300)



SECTION 3
SCALE: 1/2" = 1'-0" (300)



WINDOWS-BSMT
SCALE: 1/2" = 1'-0" (300)



BUILDING ENTRANCE
SCALE: 3/8" = 1'-0" (300)

REVISIONS		
NO.	DATE	DESCRIPTION
1	6/25/09	ISSUED - BID DOCUMENTS

THIS DOCUMENT IS AN INSTRUMENT OF PROFESSIONAL SERVICE AND THE PROPERTY OF THE ARCHITECT AND ANY ALTERATION THEREOF OR UNAUTHORIZED USE OF THE DESIGN, DETAILS, SPECIFICATIONS, CONCEPTS OR IDEAS THEREIN WITHOUT THE EXPRESS WRITTEN CONSENT OF THAT FIRM IS PROHIBITED AND IS A VIOLATION OF SECTION 209 OF THE NEW YORK STATE EDUCATION LAW. THIS DOCUMENT SHALL NOT BE USED FOR ANY OTHER PROJECT.

James A. Rumsey
Architect
5729 East River Road
Great Neck, NY 11042
(716) 467-9288

PROJECT NO: ps3405
DATE: 02.15.09
DESIGNED BY: ps
DRAWN BY: pss
CHECKED BY: ps
VERIFY ALL LINE ANGLES AND DIMENSIONS BY REVISION AND DIMENSION



Creative Structures Services
210 Summer Street
Buffalo, New York 14222
TEL/FA (716) 852-1228

3405

WINDOW DETAILS
VIRGINIA MANOR
RENOVATION
250 VIRGINIA STREET / 74 TENTH STREET
CITY OF BUFFALO, COUNTY OF ERIE, STATE OF NEW YORK

DATE: 06.12.09

DRAWING NO. **A300**